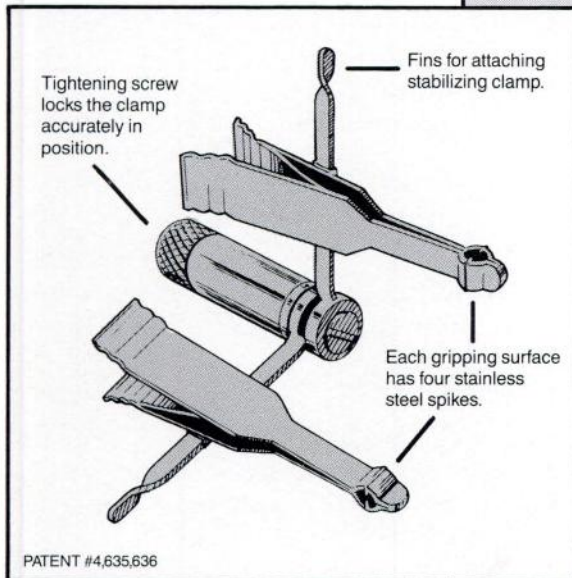
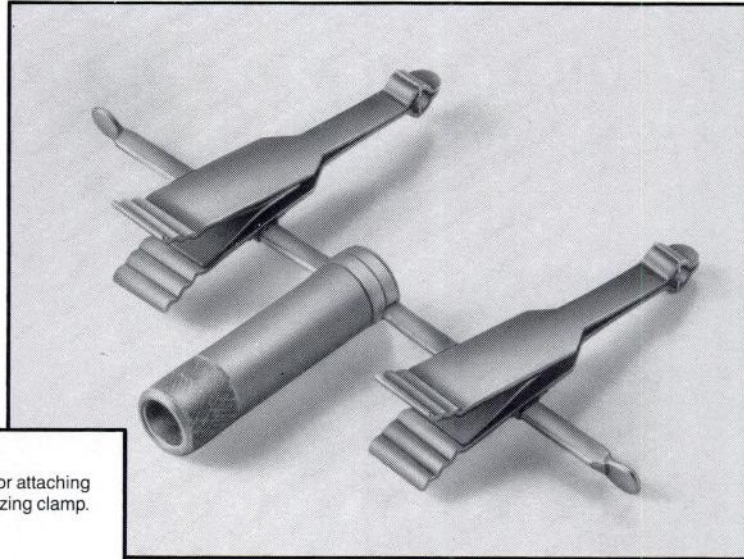


# Microspike Approximator for Vasovasostomy & Vasoepididymostomy

by Dr. Marc Goldstein

- Ends clamp slippage.
- Will not damage mucosa.
- Folds in two directions to facilitate anterior and posterior wall anastomoses.
- Can be adjusted and locked in any position and stabilized by attaching a hemostat or needle holder.
- Reduces operating time significantly and facilitates better anastomoses.



Used successfully in more than 300 vasovasostomies and vasoepididymostomies, the Microspike Approximator stabilizes the ends of the vas deferens without slippage or damage due to high closing pressure. It often obviates the necessity for inguinal extensions of the scrotal incision in cases of large gaps.

Stainless steel spikes protruding from the clamp's gripping surfaces securely grasp only the adventitia of the vas deferens, so there is no danger of mucosal damage. And because the clamp folds in both directions, the vas or vessel lumen can be exposed equally well during anterior and posterior anastomoses.

The instrument may be stabilized by attaching a locking needle-holder or hemostat. It is autoclavable and requires no special preparation prior to use.

**MSPK 3678** ..... \$306.00  
Microspike Approximator Clamp

*Designed by Marc Goldstein, M.D., Director, Male Reproduction and Microsurgery Unit, Division of Urology, New York Hospital-Cornell Medical Center, New York, N.Y.*

copyright ASSI 1987.

# ASSI®

## accurate surgical & scientific instruments corporation

300 SHAMES DRIVE, WESTBURY, NY 11590, PHONE (516) 333-2570 • WEST COAST SALES: SAN DIEGO, CA (619) 235-9400

TO ORDER CALL TOLL FREE:

**1-800-645-3569**

(Except N.Y. State call 516-333-2570)

**1-800-ALL-WEST**

(CALIFORNIA, PACIFIC and MOUNTAIN TIME STATES)

ACCURATE SURGICAL & SCIENTIFIC INSTRUMENTS CORPORATION  
300 Shames Drive, Westbury, N.Y. 11590

Please send me the New ASSI and S&T catalogs.

JA

NAME \_\_\_\_\_

INSTITUTION \_\_\_\_\_

ADDRESS \_\_\_\_\_

CITY, STATE, ZIP \_\_\_\_\_

PHONE NO. \_\_\_\_\_

## Instructions to Authors

The Journal of Andrology publishes original papers and reviews on clinical and laboratory research pertinent to structure and function of the male reproductive system and male gametes. *Authors are requested to submit a covering letter with their manuscript stating that the material contained in the manuscript has not been published, has not been submitted or is not being submitted elsewhere. Receipt of this statement is a condition of acceptance of the manuscript for publication.* Exception is made for abstracts of papers presented to the annual meeting. Membership in the Society is not required for submission of a manuscript.

All manuscripts will be reviewed by two members of the Editorial Board or *ad hoc* reviewers and, in case of a disagreement, by a third reviewer. In the covering letter, the author may suggest a person or persons whom he/she feels is especially appropriate (or inappropriate) for reviewing the manuscript.

A basic charge of \$45 will be assessed for each printed page (except for invited review articles). However, an author's inability to honor page charges will not affect publication of acceptable manuscripts.

The contents of the Journal of Andrology are now listed in both *Index Medicus* and *Current Contents*. Abstracts of 225 words or less will be entered into the MEDLINE data base system, a service of *Index Medicus*.

The Society endorses the principles embodied in the "Principles of Laboratory Animal Care" formulated by the National Society of Medical Research and the "Guide for the Care and Use of Laboratory Animals," published by the National Institutes of Health, and expects that all investigations involving animal experimentation reported in the Journal will have been conducted in conformity with these principles.

Send the manuscript (including all illustrative material) in triplicate to the Editor:

Dr. Marie-Claire Orgebin-Crist  
Editor, *Journal of Andrology*  
Department of Obstetrics and Gynecology  
Vanderbilt University  
Nashville, Tennessee 37232-5000  
(615) 322-7484

### Preparation of the Manuscript

The manuscript must be in English. Three complete sets of the manuscript should be submitted. Standard size 8½ × 11 inch (21 × 28 cm) bond paper,

double spacing, and margins of at least 1 inch (2.5 cm) should be used throughout. Contributors should use paper with numbered lines or should number each line on the left margin. All pages should be numbered consecutively, beginning with the title page. Each of the following sections should begin with a new page:

**Title page.** The title page should give (i) the title of the manuscript, (ii) a short running head of not more than 40 spaces; (iii) first name, middle initial, and last name of each author; (iv) department(s) and institution(s) where the work was done; (v) name and address of the author to whom correspondence and reprints should be addressed; and (vi) source(s) of support in the form of financial aid, grants, or equipment.

**Abstract.** An abstract of not more than 150 words should state the objectives, the findings, and the conclusions. At the end of the abstract, three to 10 key words or short phrases should be provided for indexing purposes.

**Text.** The text of full length, original articles should be divided into the following sections: Introduction, Methods, Results, and Discussion. However, the author(s) may use another format if it is more appropriate for presentation of the material.

**References.** In the text, the references should be quoted by the name and date system, e.g. Smith and Jones (1972) or (Smith and Jones, 1972); and, in the case of three or more authors, the name of the first author followed by et al should be used. The references should be listed alphabetically at the end of the paper using the format noted below. All authors should be listed.

Standard journal article:

Alexander NJ, Fulgham DL. Antibodies to spermatozoa in male monkeys: mode of action. *Fertil Steril* 1978; 30:334-342.

Books and other monographs:

Wallach ED, Kempers RD, eds. Modern trends in infertility and conception control; Vol 2. New York: Harper & Row, 1982.

Chapter in book:

Stewart JM. Pharmacology of LHRH and analogs. In: Zatuchni GI, Shelton JD, Sciarra JJ, eds. LHRH peptides as female and male contraceptives. New York: Harper & Row, 1982; 2-12.

References to unpublished data and personal com-

munications should be clearly identified as such in parentheses within the text and should not be included in the list of references. It is the author's responsibility to ensure that all references are correct.

*Tables.* Tables should be typed double spaced on separate pages, numbered consecutively, and cited in the text.

*Illustrations.* Figures should be professionally drawn and/or photographed and preferably 5 × 7 inches (12.7 × 17.3 cm) in size but not larger than 8 × 10 inches (20.3 × 25.4 cm). Submit sharp, clear, glossy black and white photographic prints. Do not send the original of ink drawings, roentgenograms, or other material. On the back of each figure, the author's name, number of the figure, and the top should be indicated with a soft-leaded pencil or with a typed label. Each figure should be numbered and cited in the text in consecutive order. A charge will be assessed for color reproduction.

*Legends.* Figure legends should be typed on a separate page and should provide sufficient detail to make the figure understandable without reference to the text. Explain internal scale and identify the method of staining in photomicrographs.

#### **Rapid Communications**

At the request of the author(s), manuscripts will be considered for processing as rapid communications. Manuscripts must be **eight double-spaced,**

**typed pages or less** (including figures, legends, and references). Information regarding style and format is available from the Editor upon request.

Each manuscript will be subjected to review by two members of the Editorial Board or *ad hoc* reviewers. Manuscripts that are accepted for publication will be published shortly after receipt of the final version.

#### **Review Articles**

From time to time, the Journal will publish reviews on subjects of particular interest to its readers. In general, the subject matter will be selected by the Editorial Board, and the Editor will solicit submission of the manuscripts. However, unsolicited reviews will also be considered for publication and will be subject to the same process of review as original articles. It is suggested that prospective contributors of unsolicited reviews consult with the Editor before preparing and submitting the text.

#### **Announcements**

The Journal will publish, free of charge, announcements of meetings, postgraduate courses, symposia, and other events of interest to andrologists. The information should be submitted to the Editor and should include the type of event, the sponsoring organization, the location and date, and any other pertinent information.